

# DM Series

## 3-DM-185 6V185Ah

DM series battery uses latest AGM technology with longer cycle life. It is suitable for large current and deep cyclic applications. It can be used in e-vehicles, sightseeing, golf and logistics cars.



### Benefits

- Up to 700 cycles 80% DOD
- Good large current discharge performance
- High gas recombination efficiency
- Maximum charge efficiency
- Low self-discharge rate
- Easy installation and handling

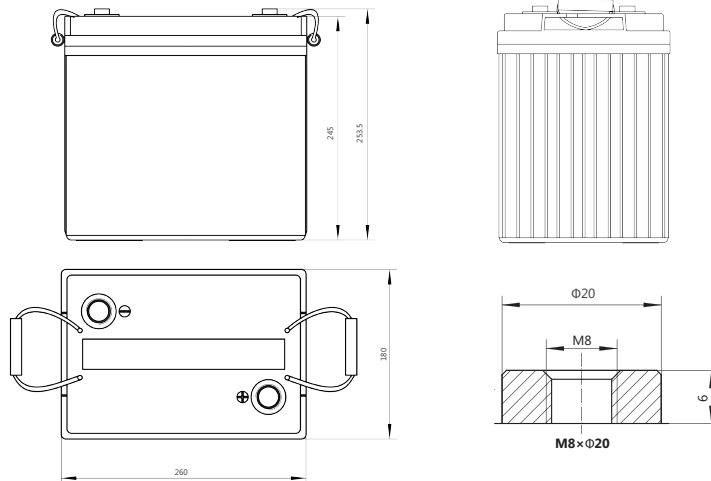
### Applications

- Electrical Vehicle
- Mixture Electrical vehicle

### Standards

- GB/T 18332.1
- QC/T 742
- IEC61982-3
- GB/T 7403.1
- GB/T 23636

### Drawing



### Specifications

Battery Model	3-DM-185			
Design Life (80% DOD)	700 cycles			
Capacity (Ah, 25°C)	20HR (10.0A, 1.75V)	5HR (37.0A, 1.75V)	3HR (56.67A, 1.75V)	2HR(77.5A, 1.75V)
	200	185	170	155
Dimensions (mm)	Length	Width	Height	Total Height
	260	180	245	253.5
Approx. Weight (kg)	30.0			
Reference Internal Resistance (mΩ)	2.5 ( full charged @ 25°C)			
Maximum Discharge Current (A/10 Sec.)	1530			
Self-Discharge (25°C)	< 3% per month			
Charge Voltage (V/cell, 25°C)	Cycle use		Float use	
	2.45 (-3mV/°C/cell), max charge current: 25A		2.35 (-3mV/°C/cell)	

